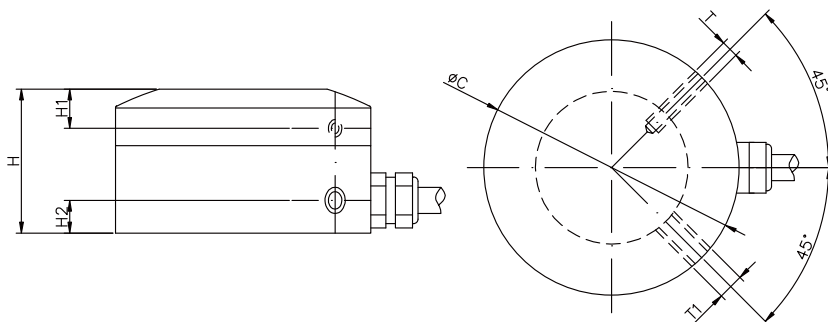


ALLOY STEEL / STAINLESS STEEL

合金钢/不锈钢



尺寸 DIMENSIONS

Rate Capacity

量程	C	H	H1	H2	T	T1
kg/mm						
0.5-50	58.5	33	9	7.5	M4深16	M6
lb/inches(conversion of above dimensions 由以上尺寸转换)						
1.1-110	2.30	1.30	0.35	0.30	M4DP0.63	M6

技术参数 SPECIFICATIONS

Full Scale Output 灵敏度输出	$2.0 \pm 0.5\%mV/V$	Recommended Excitation 使用电压	10V(15V Maximmm)
Zero Balance 零点输出	$\pm 0.04mV/V$	Insulation Resistance 绝缘阻抗	$>2[50V DC]G \Omega$
Nonlinearity 非线性	$< \pm 0.03\%$	Nominal Temperature Range工作温度	$-10^{\circ}C$ to $40^{\circ}C$ / $14^{\circ}F$ to $104^{\circ}F$
Repeatability 重复性	$< \pm 0.03\%$		
Hysteresis Error 滞后	$< \pm 0.03\%$	Safe Overload 安全过载	150% of full scale
Creep in 30 min 30分钟蠕变	$< \pm 0.05\%$	Breaking Overload 极限过载	300% of full scale
Input Resistance 输入电阻	$415 \Omega \pm 5$	IP Rating 防护等级	IP67
Output Resistance 输出电阻	$350 \Omega \pm 3$	Cable Color Code 颜色码	Exc(输入)+:Red(红);Exc(输入) -Black(黑);Sig(输出)+Green(绿); Sig(输出)-:Whit(白) Shield Bare(屏蔽)
Element Materia 材质	Aluminum 铝合金		

701A

Special Features

特征

- ◆ 易于安装, 性能稳定
- ◆ 抗过载能力强
- ◆ 适用于限位过载用途
- ◆ IP67 防护
- ◆ Easy installation reliable performance
- ◆ Strong overload resistance
- ◆ Suitable for limit overload
- ◆ Protection to Ip67